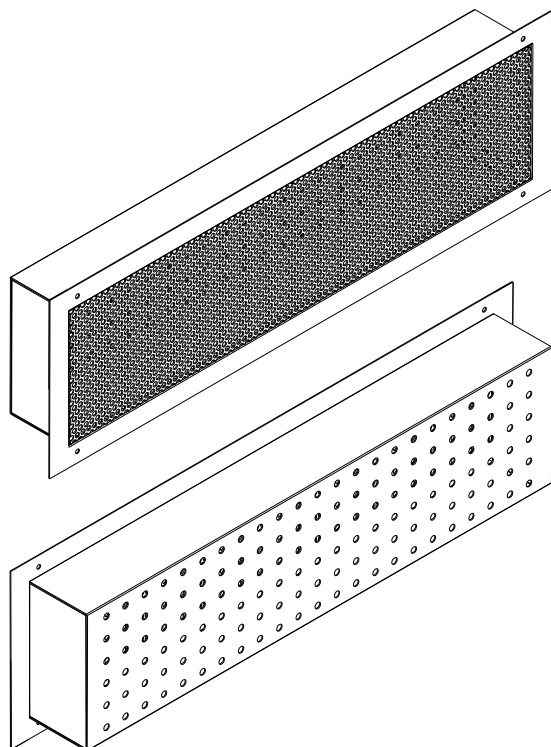


# Model PDD-L Perforated Displacement Diffuser



## Features

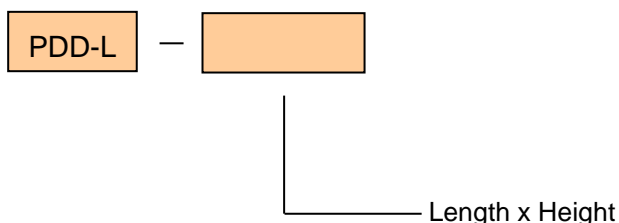
- Low turbulence and draft free.
- Low velocity under seat air supply.
- Air intake at back and also available at bottom.
- Air flow adjustment by self-balancing enabled by pressure drop of diffuser.
- Easy to install.

## Material and Finish

- Casing.  
Galvanised steel.
- Front plate  
Perforated galvanised steel.
- Flow equalisation element  
Galvanised steel.
- Intake air plenum  
Perforated galvanised steel.
- Finish  
Standard, powder coating or baked enamel, black, semi-matt. Others finishes available upon request.

Model PDD-L diffuser provides a displacement system giving improved air quality and lower temperatures in the occupied zone. The diffuser can supply air with very low velocity to avoid draught in the near zone of the diffuser. PDD-L is designed for installation within the step riser in lecture halls, auditoriums, theatres, cinemas, where good indoor climate conditions are required.

## Order Code



# Model PDD-L Perforated Displacement Diffuser



## Dimension

